



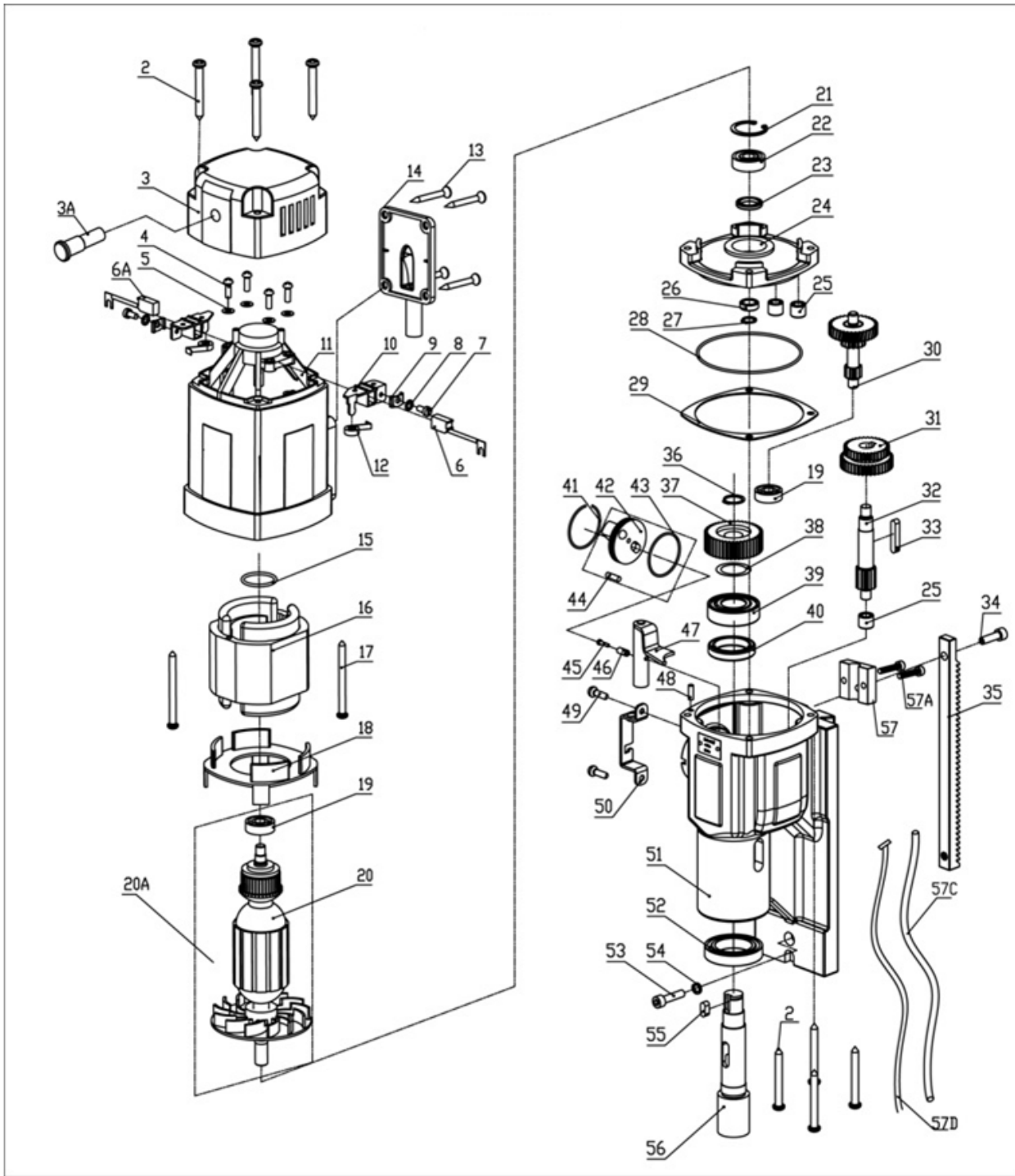
Vacuum drilling machine

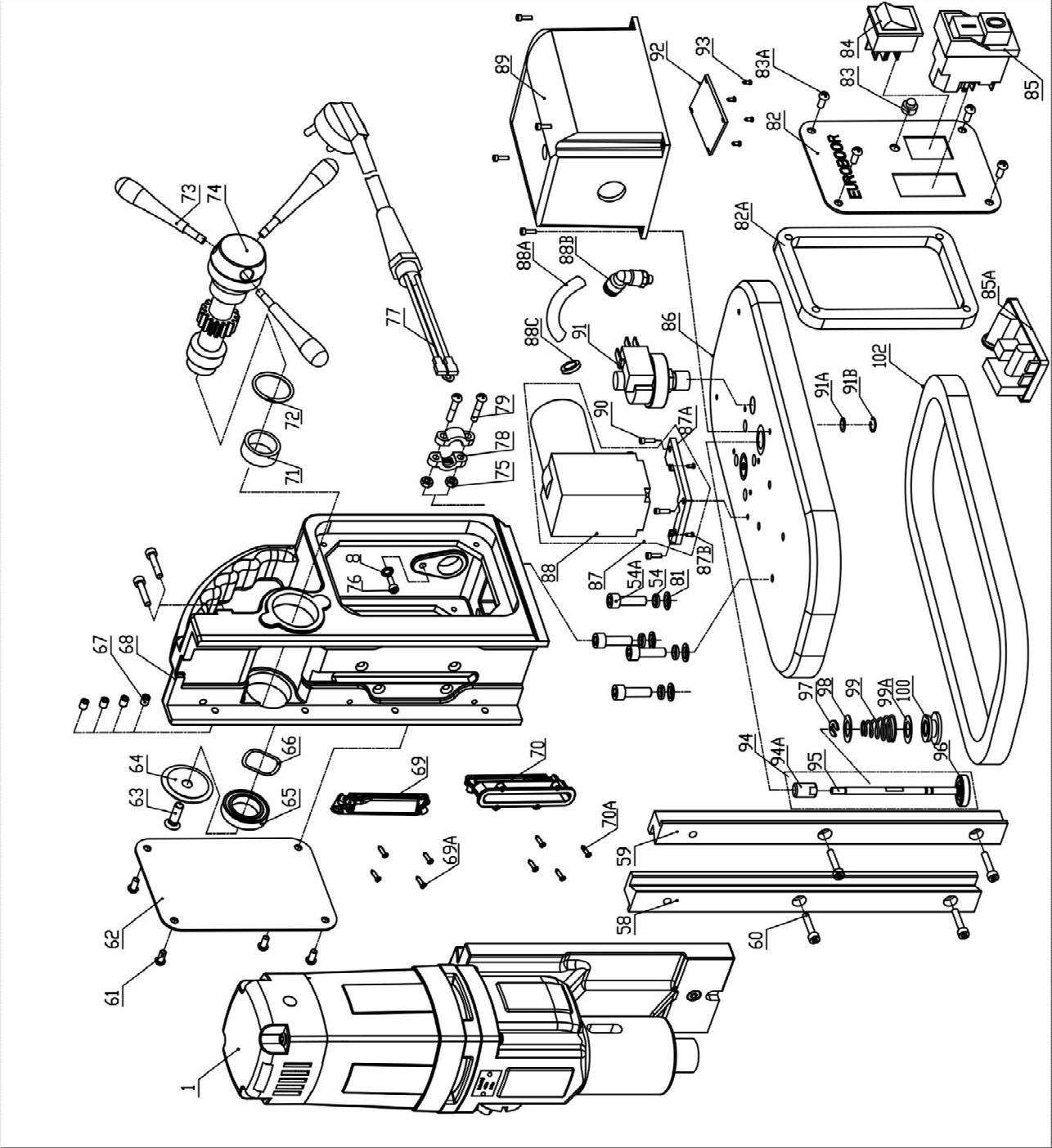
VAC.50S+

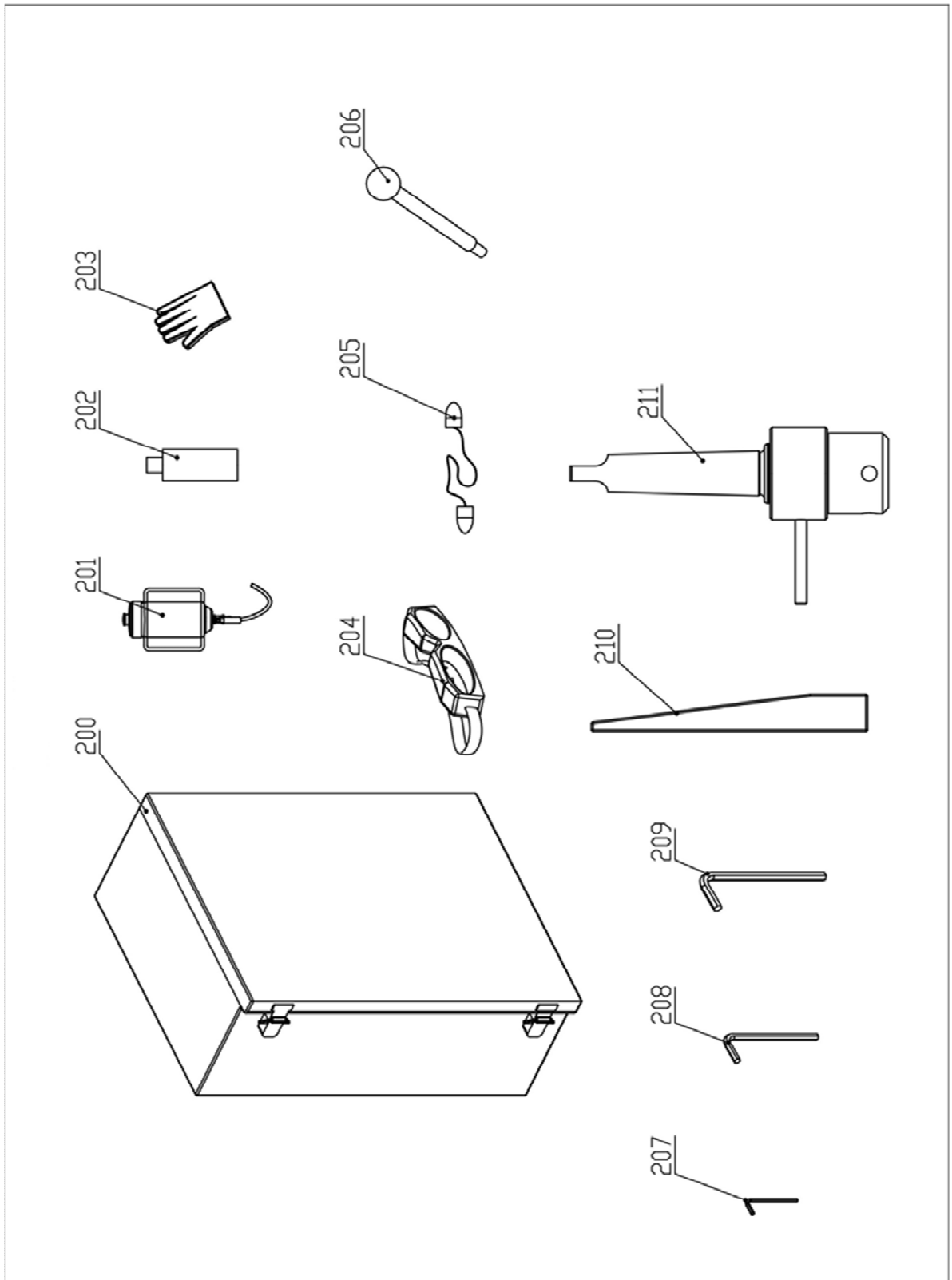


8. Exploded views & spare parts list

8.1 Exploded views







8.2 Spare parts list

No.	Part. no.	Description	Qty
1	045.1001ZN	Motor 220V VAC.50S+	1
	045.1001ZAN	Motor 110V VAC.50S+	
2	050.0106	Screw 4.8 x 45	8
3	050.0111Z	End cover 110V / 220V	1
3A	P020.0278	Led indicator red alarm 220V	1
	P020.0278A	Led indicator red alarm 110V	
4	050.0371	Carbon brush holder	2
5			
7			
8			
9			
10			
11			
12			
6	Carbon.50+	Carbon brush set 220V	1
	Carbon.50A+	Carbon brush set 110V	
8	040.0286F	Washer M4	1
13	020.0243	Screw M5 x 15	4
14	050.0586N	Cable housing	1
15	050.0116	Adapter ring Ø27 x 2.45	1
16	050.0276	Field 220V	1
	050.0277	Field 110V	
17	020.0024	Screw M4 x 60	2
18	050.0261	Baffle	1
19	032.0126	Bearing 608ZZ 8 x 22 x 7	2
20A	050.0181	Armature 220V	1
	050.0186	Armature 110V	
21	032.0166	Circlip 472/28/1.2	1
22	050.9070	Bearing 6001V V	1
23	050.0064	Oil bearing 15 x 21 x 3	1
24	050.0236/Y	Inner gear plate	1
25	040.0161	Needle bearing HK0810	3
26	050.0065	Metal ring Ø40	1
27	100.0571	Circlip 471 11 x 1	1
28	050.0071	O-ring 82 x 1.8	1
29	050.0207	Gasket middle	1
30	050.0252	Gear assembly	1
31	050.0171	Gear 34/40Z	1
32	050.0231	Axle 13T	1
33	040.0301	Key	1
34	020.0361	Screw M6 x 8	1
35	050S.0074	Rack 1.5 x 39T	1

No.	Part. no.	Description	Qty
36	050.0076	Circlip Ø20	1
37	050.0463	Gear 1 x 45T	1
38	050.0462	Washer 20.5 x 28 x 0.2	1
39	030.0009	Bearing 6004 DDU	1
40	050.0066	Oil bearing 28 x 38 x 7	1
41	050.0078	Ring 41.5 x 36.5 x 1.5	1
42	050.1014	Gear switch	1
43	050.0081	O-ring	1
44	050.0025	Pin 4 x 10	1
45	020.0329	Screw M4 x 16	1
46	050.0082	Screw holder	1
47	050.1005A	Clutch shaft	1
48	032.0211	Casing pin 4 x 12	1
49	020.0063	Screw M5 x 20	3
50	KSP.M/3	Tank holder	1
51	040.1008N	Gear box integrated cable	1
52	050.0068	Bearing 61906 DDU	1
53	020.0146	Screw M6 x 25	1
54	020.0111	Washer M6 DIN7980	5
54A	020.0156	Bolt M6 x 20	4
55	050.0077	Key 6 x 6 x 12	1
56	050.0461	Spindle drive shaft 34 x 146 #3	1
57	020.0198	Adapter	1
57A	020.0102	Hex bolt M4 x 12	2
57C	040S.0017	Spring sleeve 250 x 8.5 x 0.6	1
57D	040S.0016-2	Cable two wires 520 x 6.8	1
58	P040S.0193D	Rail set aluminium (R/L)	1
59			
60	100.0022	Bolt M5 x 20	6
61	020.0101	Panel screw BKVZ M4 x 8	4
62	PP.RSEU-220	Rear panel EB 220V	1
	PP.RSEU-110	Rear panel EB 110V	
63	020.0081	Screw BKVZ M6 x 16	1
64	050.0030	End cover Ø36 X 3	1
65	050.0063	Bearing 6804 ZZ	1
66	040.0023	Washer	1
67	020.0231	Screw M5 x 6	4
68	X032.0056X	Frame	1
69	040S.0014	Cover	1
69A	040S.0026	Screw	4

No.	Part. no.	Description	Qty
70	040S.0013	Cable box	1
70A	040S.0027	Screw M4 x 16	4
71	032.0127A	Adapter ring v2	1
72	030.0027	Washer	1
73	020.0315	Arm for capstan	3
74	020.0061/Z	Capstan hub assembly	1
75	020.0037	Cable clamp complete	1
78			
79			
76	036.0007	Screw M4 x 8	1
77	030.B125	Main cable set 220V EU	1
	030.B125A	Main cable set 110V US	
	020.0036/AU	Main cable 220V AU	
	020.0036/UK	Main cable 220V UK	
	020.0036/UK 110-16A	Main cable 110V UK 16A	
	020.0031	Coupling nut PG11 (main cable)	1
81	020.0112	Washer M6	4
82	X050.0001	Front panel VAC.50S+	1
83	X050.0002	Led indicator suction 220V	1
	X050.0002A	Led indicator suction 110V	
83A	020.0183	Screw M4 x 20	4
84	020.0011/1	Magnet switch	1
85	030E.0091/Y	Motor switch 220V (5-pin) YELLOW	1
	030E.0092/Y	Motor switch 110V (5-pin) YELLOW	
85A	020.1011	Surge module	1
86	050.0506-1	Vacuum base	1
87	030.0503S	Vacuum pump	1

No.	Part. no.	Description	Qty
89	030.0502	Cover vacuum pump	1
90	036.0007	Screw M4 x 8	7
91	030.0504	Switch	1
91A	030.0509	Dust plug	1
91B	020.0400	Retaining ring \varnothing 15 mm	1
92	030.0505	Power supply board	1
92A	032T.0009	Spacer	1
93	020.0054	Screw M3 x 6	4
94	X020.0005S	Pressure relief set	1
102	X020.0003	Seal EPDM 15 x 15	1
200	X050.0101S	Case for VAC.50S+	1
201	KSP.Q2	Coolant tank Quick Connect 2015	1
202	IBO.0.2L	Bottle 0.2LTR	1
203	PRM.61	Euroboor working gloves size M	1
	PRM.62	Euroboor working gloves size L	
	PRM.63	Euroboor working gloves size XL	
204	SAF.100	Safety goggles	1
205	SAF.200	Ear plugs	1
206	KSP.P	Pin and knob for cooling tank	1
207	IMB.US2.5	Allen key 2.5 mm	1
208	IMB.US4	Allen key 4.0 mm	1
209	IMB.US5	Allen key 5.0 mm	1
210	DRIFT3	Drift MT3	1
211	IMC.30/19-N	Arbor MT3 - 19.05 (3/4") Weldon	1
212	SAF.400	Safety chain (1 mtr) with lock	1